



K 101-A2 Horn with LED Indication



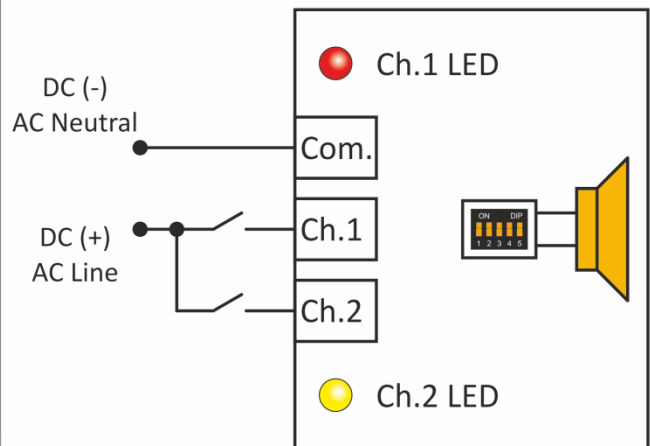
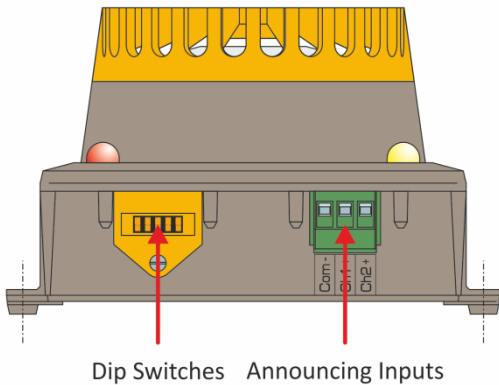
Horns and visual indicators are annunciator devices which are usually employed in industrial facilities and system rooms.

The new double channel "K 101 – A2" horn with LED indication combines a high volume horn and LED indicators to provide an integrated acoustic & visual annunciating terminal. The 2 LEDs and the dip-switch set horn with 32 different tone combinations make the K 101 – A2 an ideal solution for the mentioned purposes.

K 101 – A2 provides the highest level of sound and illumination in its class, while ensuring continuous service with modern electronics. K 101 – A2 have various models for any auxiliary supply voltages.

K 101 – A2 has been introduced into the market in 2010.

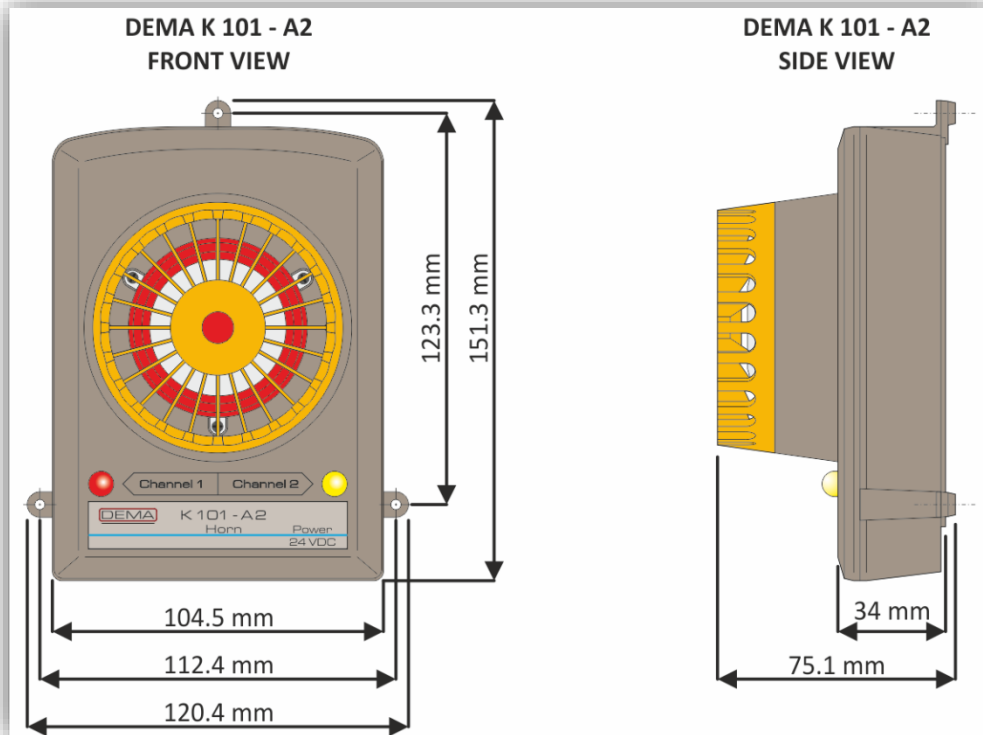
DEMA K 101 - A2 BOTTOM VIEW





K 101-A2 Horn with LED Indication

Nominal Supply Voltage (U _n)	24 Vdc	48 Vdc	110 Vdc	220 Vdc	(110 - 230) VAc
Announcing channels	2 inputs				
Operating Voltage Limits	(-20 % + 15%) U _n				(-20 % + 10 %) U _n
Standby Power Consumption	0 W				0 V·A
Max. Power Consumption (U = U _{max})	2.0 W	2.7 W	4.6 W	10.8 W	13.7 V·A
Terminal Type / Cable Data	Plug & socket terminal for q ≤ 1.5 mm ² stranded or single-core cable entry.				
Sound Pressure Level (U = 1.0 U _n , d = 1 m)	(85 - 98) dB				
Tone Quantity	32 tones				
Selectable Tone Groups	32 tone groups				
LED Quantity	2 high lumen, wide angle view LEDs; red and yellow				
Dimensions	Width = 120.4 mm / Height = 151.3 mm / Depth = 75.1 mm				
Mounting Position	Vertical				
Environmental Protection Level	IP20				
Weight	263 g				



Please contact DEMA Relay Company for further information.

DEMA ROLE SAN. ve TIC. A.S.
www.demarole.com.tr / info@demarole.com.tr
Tel: +90 (216) 352 77 34 – 35 / Fax: +90 (216) 442 17 95