



## IR101-KA2 ANNUNCIATOR RELAY



DEMA proudly presents the users and modern networks a solid alternative for annunciating duties with IR101-KA2; with the state-of-art physical and functional technology for use in LV, MV or HV facilities; and provides the users numerous assembly, commissioning, operating and servicing advantages as well as the lowest total cost of ownership.

DEMA IR101-KA2 is the enhanced sequel to DEMA IR101-KA1 model, featuring several electrical, mechanical and dimensional improvements, and have been presented to service under the guarantee of ISO9001:2000 Quality Assurance System.

### General Specifications

- (24 / 48 / 110 / 220) V<sub>DC</sub> models.
- 10 independent announcer inputs and outputs.
- Software for announcer labeling for PC printers.
- Announcer label changeability.
- Extremely low auxiliary burden
- LED indicators with 1,000,000 h MTBF and extreme brightness for easier notification.
- LED testing function.
- Horn output with LED indication.
- Horn stop function.
- Inputs for external horn stopping and resetting.
- IP52 buttons integrated on the cover.
- Precision manufacturing.
- Draw-out system.
- Unbreakable protective earth circuit continuity.
- New generation casing with IP52 front side protection, IP20 rear side protection.
- Expert technical crew and matchless customer support. □



# IR101-KA2 ANNUNCIATOR RELAY

## IR61-KA2 - Power Features

Nominal Auxiliary Supply Voltage ( $U_{aux,n}$ )

Operational Supply Voltage Range

Stand-by Power Consumption

Maximum Power Consumption, excl. horn feed

(24 / 48 / 110 / 220) V<sub>DC</sub>

+%15  $U_{aux,n}$  / -%15  $U_{aux,n}$

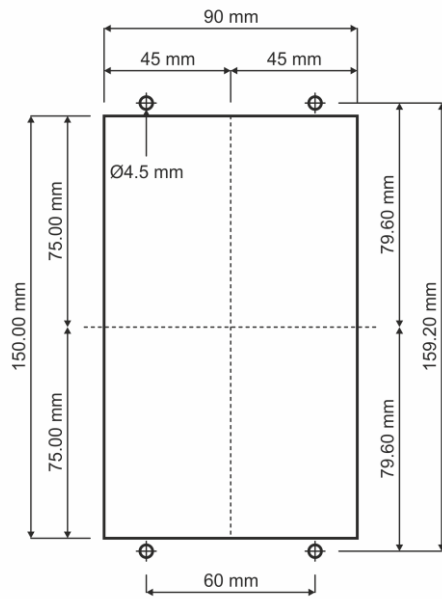
No consumption

max.9.6 W (572 mA) (24 V<sub>DC</sub> model)

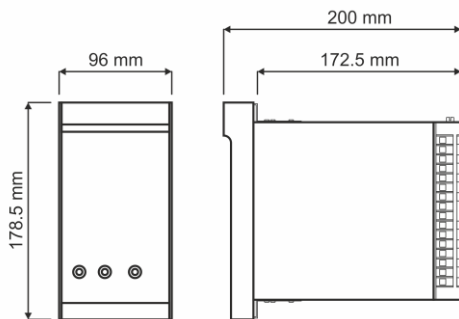
max.10.8 W (322 mA) (48 V<sub>DC</sub> model)

max.14.4 W (189 mA) (110 V<sub>DC</sub> model)

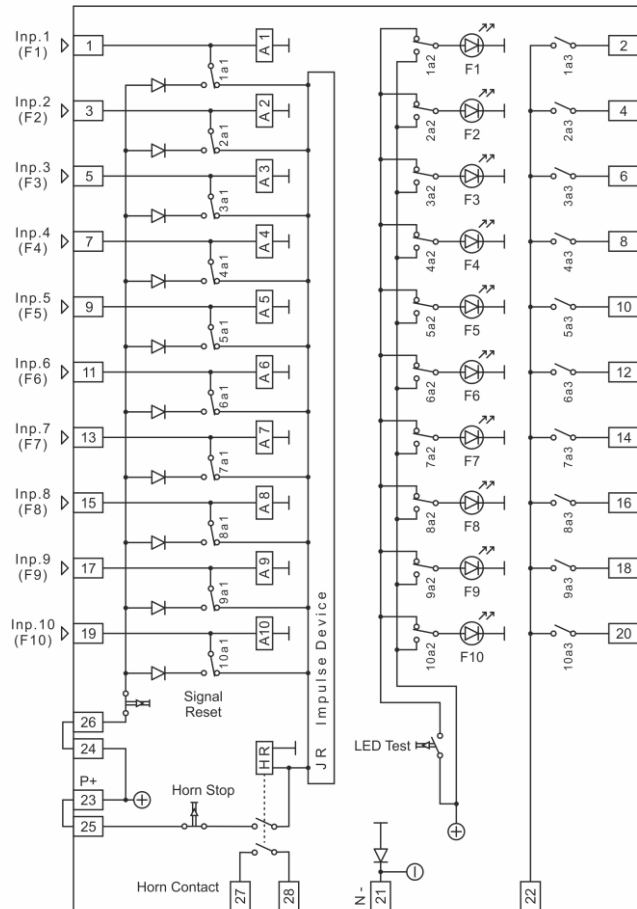
max.25.2 W (166 mA) (220 V<sub>DC</sub> model)



DRC 96 - S2 Cutout Drawing



DEMA IR101-KA2 Overall Dimensions



DEMA IR101-KA2 Circuit Diagram

Please contact DEMA Relay Company for further information.